

Lever Handle Metering Handwash Faucet

TECK®
COMMERCIAL

DELTA®

SPECIFICATION: (EXAMPLE)

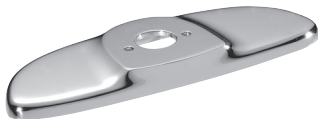
- **HEAVY-DUTY CAST BRASS** single hole mount faucet
- Polished chrome plated finish
- Vandal-resistant ADA lever handle
- Delta® metering slow close cartridge
- Two body mounted stainless steel Anti-rotation locking pins
- Vandal-resistant non-aerating spray
- **Total flow not to exceed 0.25 gallon per handle activation. See Note 1.**



- 87T105** 0.5 gpm (1.9 L/min)
- 87T905** 0.35 gpm (1.32 L/min)



87T105



87T151

COVERPLATE

SPECIFICATION: (EXAMPLE)

- 87T151** with center faucet hole, two holddown shanks
- **HEAVY DUTY FORGED CAST BRASS**
- 102mm (4") center
- Polished chrome plated finish
- With locating holes for 87T104 to 87T911 metering faucets with anti-rotation locking pins
- **For secure public washroom faucet/fixture installations**

Engineer/Architect Approval

Model Specified:

Approval:

Date:

SPECIFICATION: (EXAMPLE)

- **HEAVY-DUTY CAST BRASS** single hole mount faucet
- Polished chrome plated finish
- Vandal-resistant ADA lever handle
- Delta® metering slow close cartridge
- Two body mounted stainless steel Anti-rotation locking pins
- Mixing tee and inlet checks
- Vandal-resistant non-aerating spray
- **Total flow not to exceed 0.25 gallon per handle activation. See Note 1.**



- 87T111** 0.5 gpm (1.9 L/min)
- 87T911** 0.35 gpm (1.32 L/min)



87T111

NOTE 1: Data based on 73 °F water temperature and 50 psi flowing pressure.

0.5 gpm (1.9 L/min) faucet can be set to a maximum close time of about 27 seconds with an output volume = 0.21 gallons.


0.35 gpm (1.32 L/min) faucet can be set to a maximum close time of about 30 seconds with an output volume = 0.14 gallons.

Lever Handle Metering Handwash Faucet

TECK[®]
COMMERCIAL

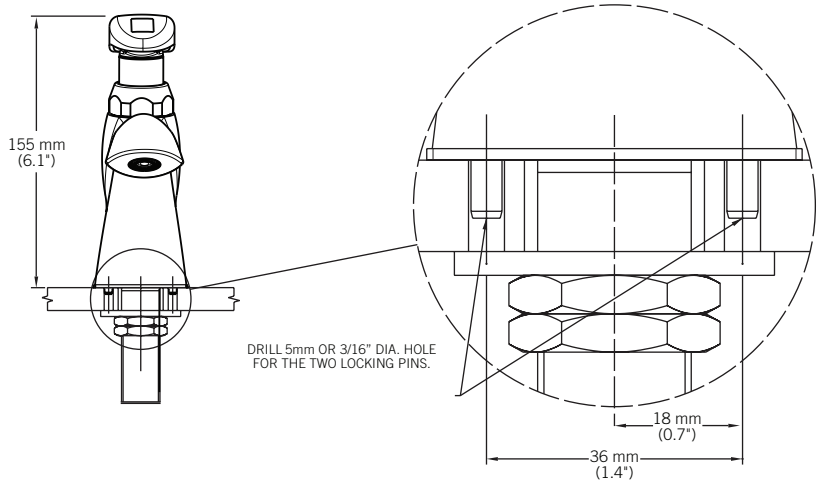
DELTA

APPROVALS:

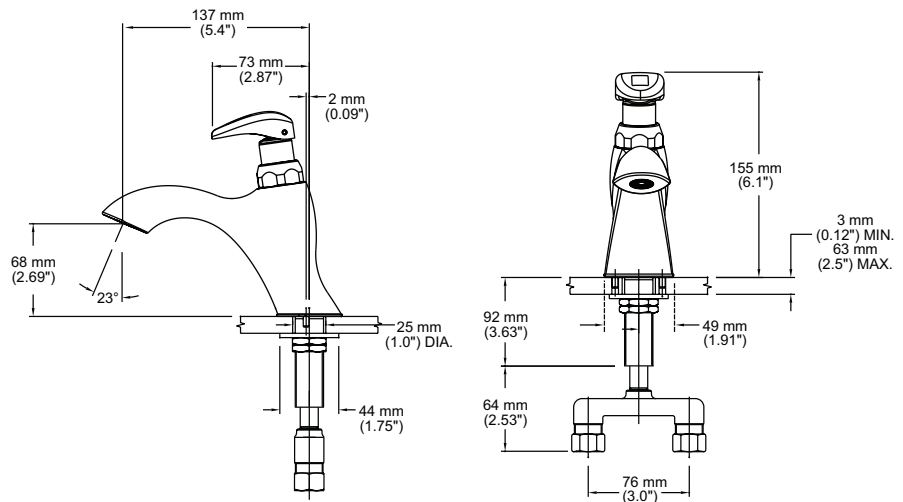
- CSA certified
- Complies to ASME A112.18.1/CSA B125.1
-  Indicates compliance to ICC/ANSI A117.1
- Verified compliant with 0.25% weighted average Pb content regulations

(Contact Delta Representative for State and/or Local Approvals.)

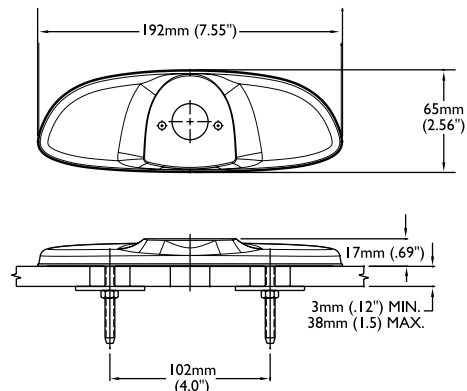
87T105 – 87T911 – LOCKING PINS



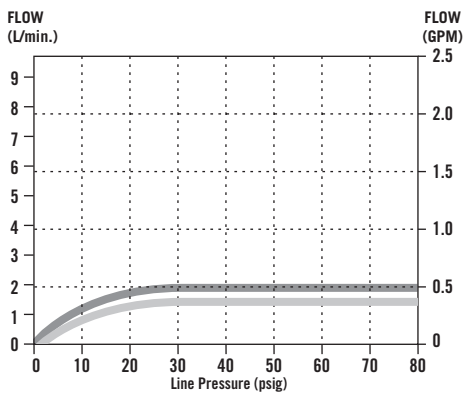
87T111 & 87T911



87T151



FLOW RATE vs PRESSURE



Spout Outlets

- 0.5 gpm (1.9 L/min) Outlet
- - - 0.35 gpm (1.32 L/min) Outlet

INLETS - 1/2" MIP/Coupling Nuts

Note: Measurements may vary ± 6 mm (0.25")

Refer to www.specselect.com for individual models.

Note: Use this page front and back as a product submittal sheet.